

OLYMPUS®

Olympus is about life. About photographic innovations that capture precious moments of life. About advanced medical technology that saves lives. About information- and industry-related products that make possible a better living. About adding to the richness and quality of life for everyone. Olympus. Quality products with a **FOCUS ON LIFE**

RESEARCH SYSTEM MICROSCOPE

AX70 -Macro

A SINGLE MICROSCOPE WITH
OBSERVATIONS FROM MACRO TO MICRO

UIS
UNIVERSAL
INFINITY SYSTEM



Using a 0.5X objective at a Field Number of 26.5, the AX70's 53mm-diameter field of view takes in even the large specimens.

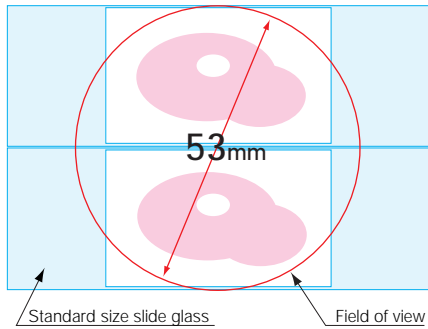


PLFL 0.5X objective, PE2X photo eyepiece

The AX70-Macro is an advanced research system microscope whose wide field of view (F.N. 26.5) and use of a 0.5X objective allow observation of specimens up to 53mm in diameter. Capable of brightfield macro and micro observations, it is suitable for a wide range of applications. It can even record and observe large specimens such as complete brain slices and small animals.

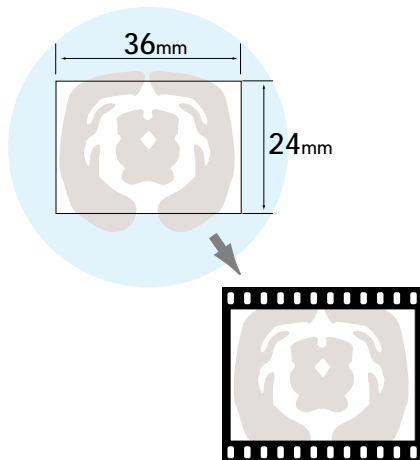
The 0.5X objective gives a 53mm-diameter field of view

Demanding tasks like the observation of entire brain slices, small animals and other large specimens are where the AX70-Macro comes into its own. The observable circular area can be as large as 53mm in diameter — the equivalent of observing two standard size prepared specimens at the same time.



Life size photography with 35mm camera

By using a 2X (PE2X) photo eyepiece in combination with the 0.5X objective, you can record specimens up to 36X 24mm in size.



With the AS (aperture diaphragm) effect, even a low contrast specimen can be photographed sharply

Using the 0.5X objective, you can get the AS effect — which means sharp photographic images even of low contrast specimens.

Comparison of AS effects



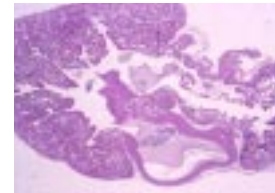
Without use of AS With use of AS 80%

Easy, convenient operation

Changing between macro and micro observation is easily performed by means of controls placed at the operator's hand. Since the 0.5X objective and auxiliary objectives in the cube cassette are changed at the same time, there is no need to remove the auxiliary lens and no risk of damage to the specimen.



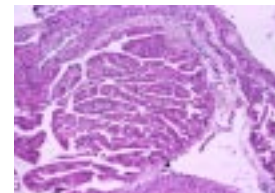
PLFL 0.5X
Total observation for magnification: 5X
Film magnification: 1X-
Specimen observation area: 53mm diameter



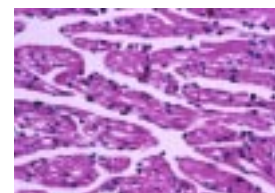
UPLAPO 1.25X
Total observation for magnification: 12.5X
Film magnification: 2.5X-
Specimen observation area: 21.2mm diameter



UPLFL 4X
Total observation for magnification: 40X
Film magnification: 8X-
Specimen observation area: 6.6mm diameter



UPLFL 10X
Total observation for magnification: 100X
Film magnification: 20X-
Specimen observation area: 2.7mm diameter



UPLFL 40X
Total observation for magnification: 400X
Film magnification: 80X-
Specimen observation area: 0.7mm diameter

AX70-Macro specifications

Item	Specifications
Microscope stand	<ul style="list-style-type: none"> •AX70TF/MACRO Macro frame for transmitted illumination Contrast adjustment using aperture diaphragm in combination with 0.5X objective 5 built-in manual filters (ND 1.5, ND6, ND25, LBD, IF550) Total magnifications of 35mm camera: from 1X (with 0.5X objective and 2X photo eyepiece)
Macro objective	<ul style="list-style-type: none"> •PLFL 0.5X Combination of objectives and auxiliary lens (Objectives attached to revolving nosepiece. Special cube cassette for auxiliary objective) Automatic insertion mechanism for auxiliary objective (corresponds to in/out of 0.5X objective) W.D.: 7mm
Condenser	<ul style="list-style-type: none"> •AX-CD/MACRO Manual 3-step turret type (stage insert plate for macro observation included) UL position: Ultra low: for 0.5X objective, N.A.0.02 L position: Low: for 1.25X – 4X objective, N.A.0.16 H position: High: for 10X – 100X objective, N.A.0.9 With slot for C.C. filters Applicable observation method : Brightfield observation only
Revolving nosepiece	<ul style="list-style-type: none"> •U-D5REM/MACRO Motorized quintuple nosepiece for macro observation
Stage	<ul style="list-style-type: none"> •AX-SVL/R Movement area: Y52mm, X76mm, with torque adjustment. Handle end position: 75mm from the desk surface
Specimen holder	<ul style="list-style-type: none"> •AX-HLD/MACRO, AX-HRD/MACRO Specimen holders for macro observation
Observation tube	U-SWTR-2, U-PHOTO, U-MPH
Eyepiece	<ul style="list-style-type: none"> •SWH10X-H 10X, F.N. 26.5 (super widefield)
	<ul style="list-style-type: none"> •35SWH10X-H Finder eyepiece 10X, F.N. 26.5 (super widefield)
Objective	PLAPO series, UPLAPO series, UPLFL series
Photo tube	U-SPT
Photo eyepiece	PE2X, PE2.5X, PE3.3X, PE4X, PE5X

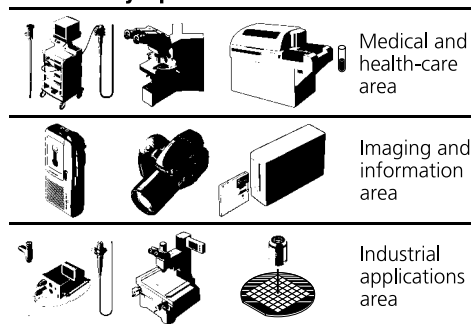
Maximum dimensions: 716 (D) × 385 (W) × 470 (H)mm

Weight: approx. 45kg (U-SWTR-2 configuration)



Specifications are subject to change without any obligation on the part of the manufacturer.

Olympus business areas



OLYMPUS®

FOCUS ON LIFE

OLYMPUS OPTICAL CO., LTD.

2-43-2, Hatagaya, Shibuya-ku, Tokyo, Japan

OLYMPUS OPTICAL CO. (EUROPA) GMBH.

Postfach 10 49 08, 20034, Hamburg, Germany

OLYMPUS AMERICA INC.

2 Corporate Center Drive, Melville, NY 11747-3157, U.S.A.

OLYMPUS SINGAPORE PTE LTD.

491B River Valley Road, #12-01/04 Valley Point Office Tower, Singapore 248373

OLYMPUS OPTICAL CO. (U.K.) LTD.

2-8 Honduras Street, London EC1Y 0TX, United Kingdom.

OLYMPUS AUSTRALIA PTY. LTD.

104 Ferntree Gully Road, Oakleigh, Victoria, 3166, Australia